

I惰性气体膨胀温度计，镀铬外壳 DN60

概述

Inert gas dilatation thermometers (Nitrogen) reliable and accurate, realised for control and regulation process.

For applications in the food, pharmaceutical and chemical industries, the operation consists in a bulb, capillary and a Bourdon spring. All these components are combined to form a close circuit. (thermometric element).

The temperature variations change the inner pressure of the bulb with the resulting deflection of the Bourdon spring that by a link, transfers the movement to the mechanical linkage and as a consequence also to the pointer.

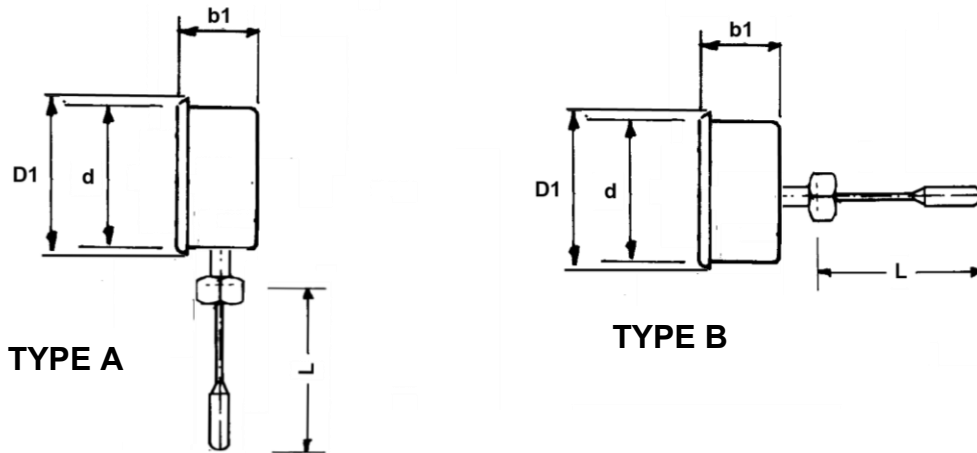


安德鲁信重工江苏有限公司

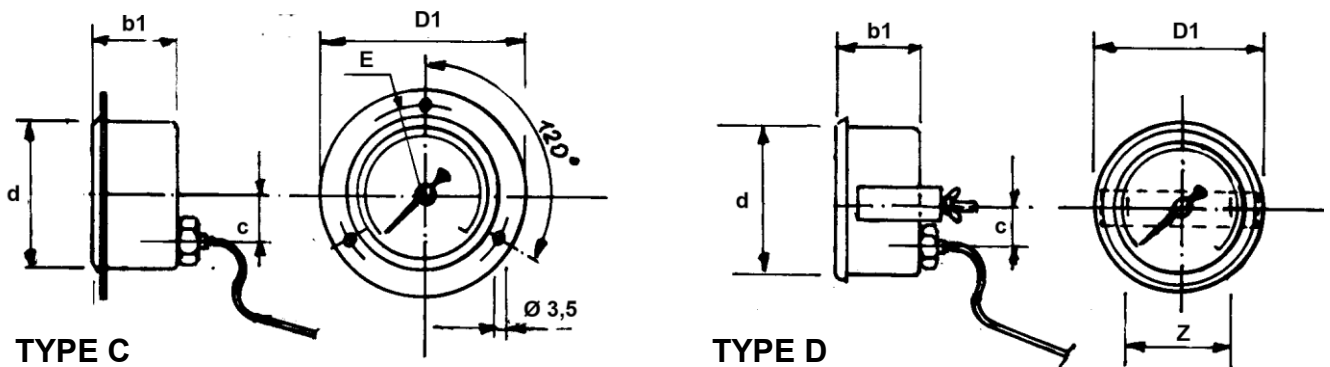
地址：江苏省江阴市澄江东路3号 电话：0510-86199978 86199979 传真：0510-86199980
网址：www.andrewen.com www.andrewen.net 邮箱：info@andrewen

单位：毫米

DIRECT CONNECTION



REMOTE CONNECTION



Standard connection 1/2 BSP

TYPE	b1	d	D1	E	Z	Std. Length
A	34	60	64	X	X	100 mm
B	34	60	64	X	X	100 mm
C	34	60	80	68	X	1000 mm
D	34	60	64	X	43	1000 mm



安德鲁信重工江苏有限公司

地址：江苏省江阴市澄江东路3号 电话：0510-86199978 86199979 传真：0510-86199980
 网址：www.andrewen.com www.andrewen.net 邮箱：info@andrewen

技术参数

适用标准: EN 13190

范围: from -200 to 600°C

精度: : Cl. 2 according to EN 13190

环境温度: -20+60°C

流体温度: max 60°C

温度超限: 20% up to 400°C – not suitable for 500-600°C

保护等级: IP 44 according to IEC 529

表壳: : chrome plated steel

密封圈: : chrome plated steel, type C stainless steel

刻度盘: white aluminium, black markings.

指针: : black aluminium, micrometer adjustment

表玻璃: glass 3 mm thickness

测量元件: spring Bourdon thermally treated

传感器元件: Nitrogen

毛细管: : Steel – Stainless steel

温包: Std. Ø 9 , sensing part mm 65

可选项

刻度盘 with double scale °C/°F

Spiral capillary armoured coating Ø 7 AISI 304 stainless steel – galvanized steel - PVC

Brass or AISI 316 st.st. thermowells, different lengths on request, connections 3/8 BSP, 1/2 BSP - 3/4 BSP



安德鲁信重工江苏有限公司

地址: 江苏省江阴市澄江东路3号 电话: 0510-86199978 86199979 传真: 0510-86199980
网址: www.andrewen.com www.andrewen.net 邮箱: info@andrewen

MAX PERMISSIBLE ERRORS ACCORDING TO EN 13190***Suitable for bimetallic and dilatation thermometers***

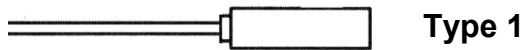
SCALE RANGE	测量范围	ERROR LIMIT CLASS 2
0 + 50	10...40	2
0 + 60	10...50	2
-10 + 40	-5...35	2
-20 + 40	-10...30	2
- 40 + 40	-30...30	2
-40 + 80	-30...70	4
-50 + 50	-40...40	2
- 10 + 50	0...40	2
-20 +50	-10...40	2
-10 + 60	0...50	2
-20 +60	-10...50	2
-20 +80	-10...70	2
0 +100	10...90	2
-20 +100	-10...90	4
0 +120	10...110	4
-10 +120	0...110	4
-20 +120	-10...110	4
0 +150	10...130	4
0+160	10...140	4
-20 +150	-10...130	4
0 +200	20...180	4
0+250	30...220	5
0 + 300	30...270	10
0 +400	50...350	10
0 + 500	50...450	10
0 + 600	100...500	15
+50 +650	150...550	15

The error limit is stated on measuring scale and not on the range

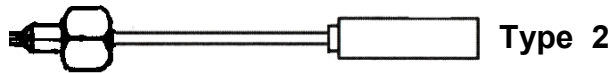
**安德鲁信重工江苏有限公司**

地址: 江苏省江阴市澄江东路3号 电话: 0510-86199978 86199979 传真: 0510-86199980
网址: www.andrewen.com www.andrewen.net 邮箱: info@andrewen

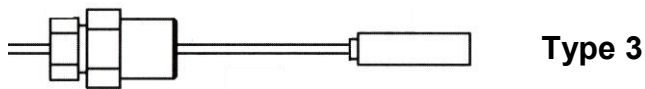
AVAILABLE CONNECTIONS



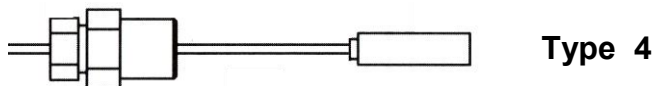
Bare bulb fitted directly to the process.



Bulb with female stove nut connection – fixed length



Bulb with male swivel nut connection – fixed length



Bulb with male compression connection sliding on the capillary



Bulb with compression connection sliding on the rigid shank.

It's necessary a thermowell connection to the systems with pressure exceeding 20 BAR.



安德鲁信重工江苏有限公司

地址: 江苏省江阴市澄江东路3号 电话: 0510-86199978 86199979 传真: 0510-86199980
网址: www.andrewen.com www.andrewen.net 邮箱: info@andrewen