

膜片密封类型 04.367

概述

Diaphragm seals are designed to isolate the sensing element of pressure gauges Ø 63 from process fluids which may be corrosive, viscous, sediment and/or with high temperatures.

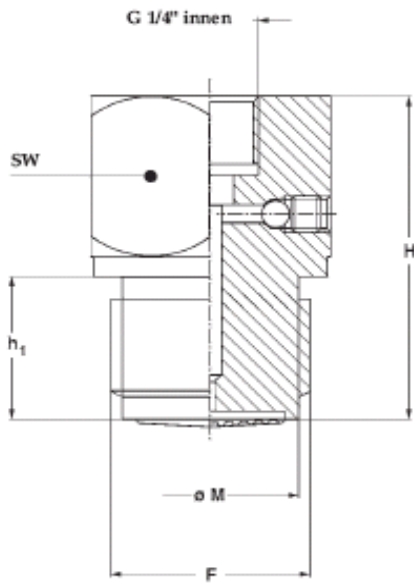
This construction feature and its compact design suit many applications that require the reduced dimension, frequent maintenance and cleaning speed.



安德鲁信重工江苏有限公司

地址: 江苏省江阴市澄江东路3号 电话: 0510-86199978 86199979 传真: 0510-86199980
网址: www.andrewen.com www.andrewen.net 邮箱: info@andrewen

DIMENSIONS



F	Code	M	h ₁	H	SW
G 3/4 B	51M	23,5	16	36,5	32

技术参数

范围: from 0 40 BAR to 0....400 BAR

工艺温度: - 45 +150 °C

工作压力: PN 400 BAR

精度: (add to instrument accuracy) ± 1% for direct mounting

仪表连接: AISI 316 st.st. thread 1/4BSP F.

隔膜: AISI 316L st.st., welded

工艺连接: AISI 316 st.st. thread 3/4 BSP M.

Filling liquid : silicone oil



安德鲁信重工江苏有限公司

地址: 江苏省江阴市澄江东路3号 电话: 0510-86199978 86199979 传真: 0510-86199980
网址: www.andrewen.com www.andrewen.net 邮箱: info@andrewen